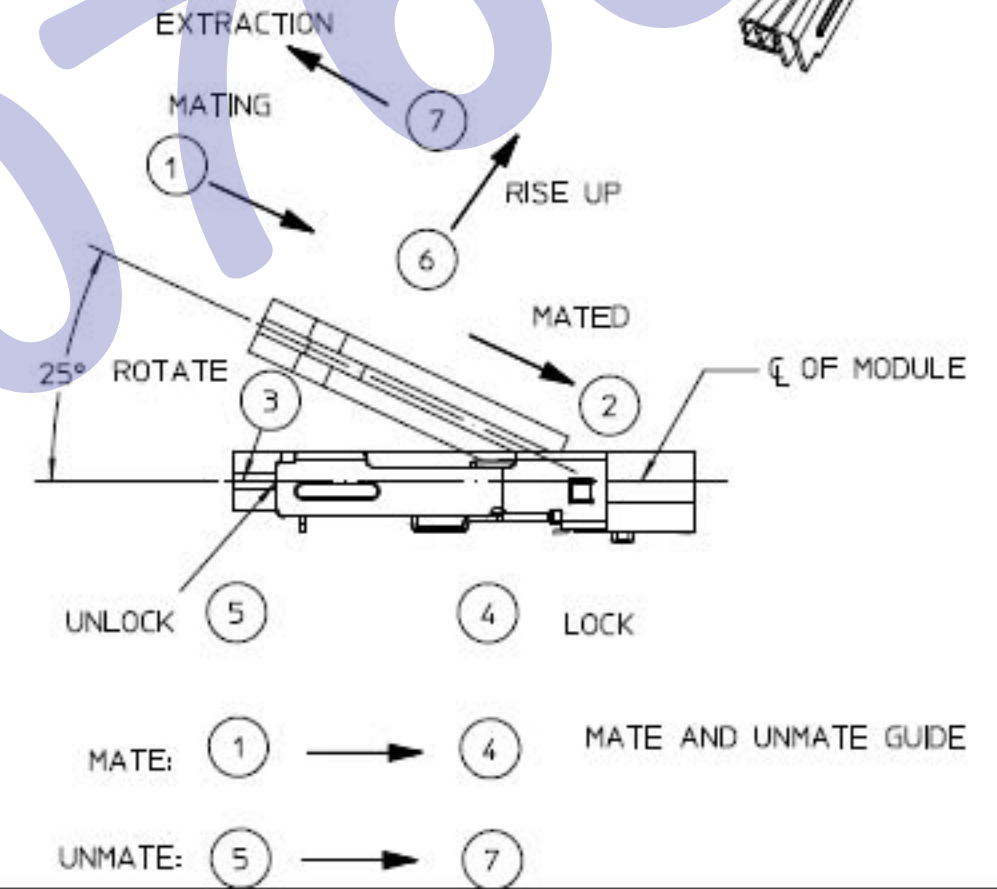
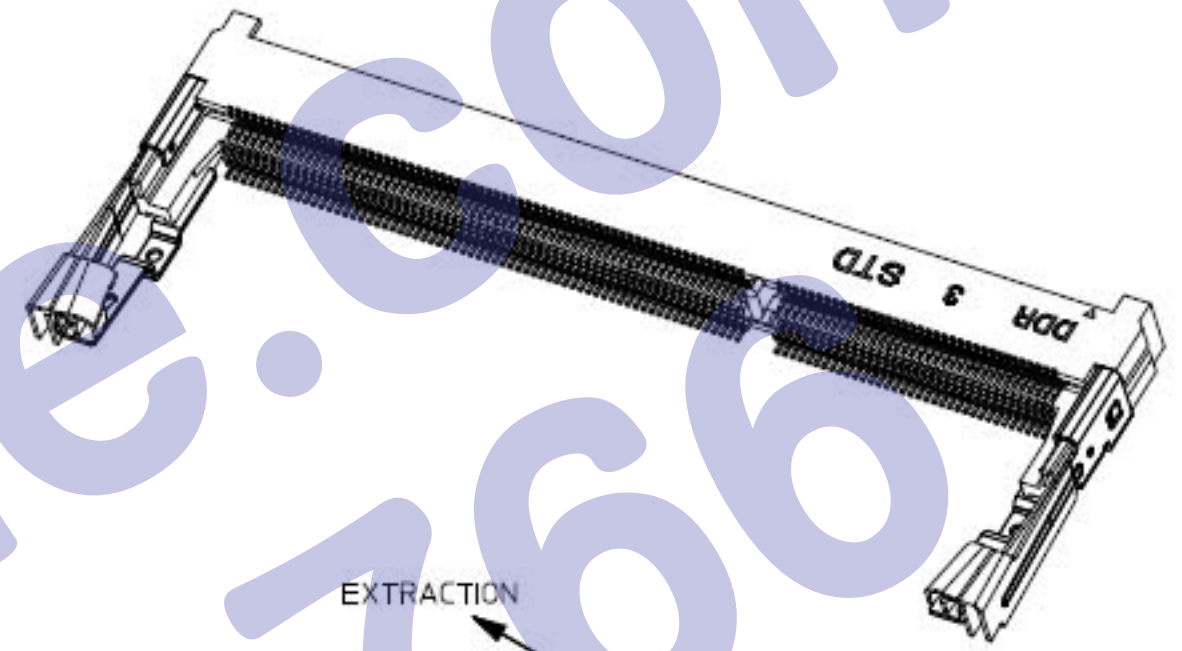
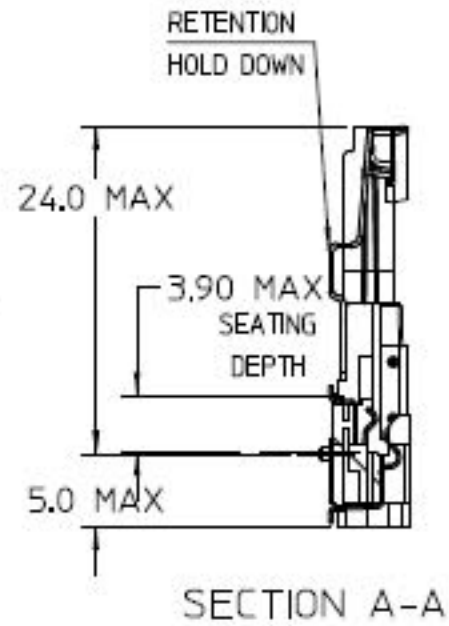
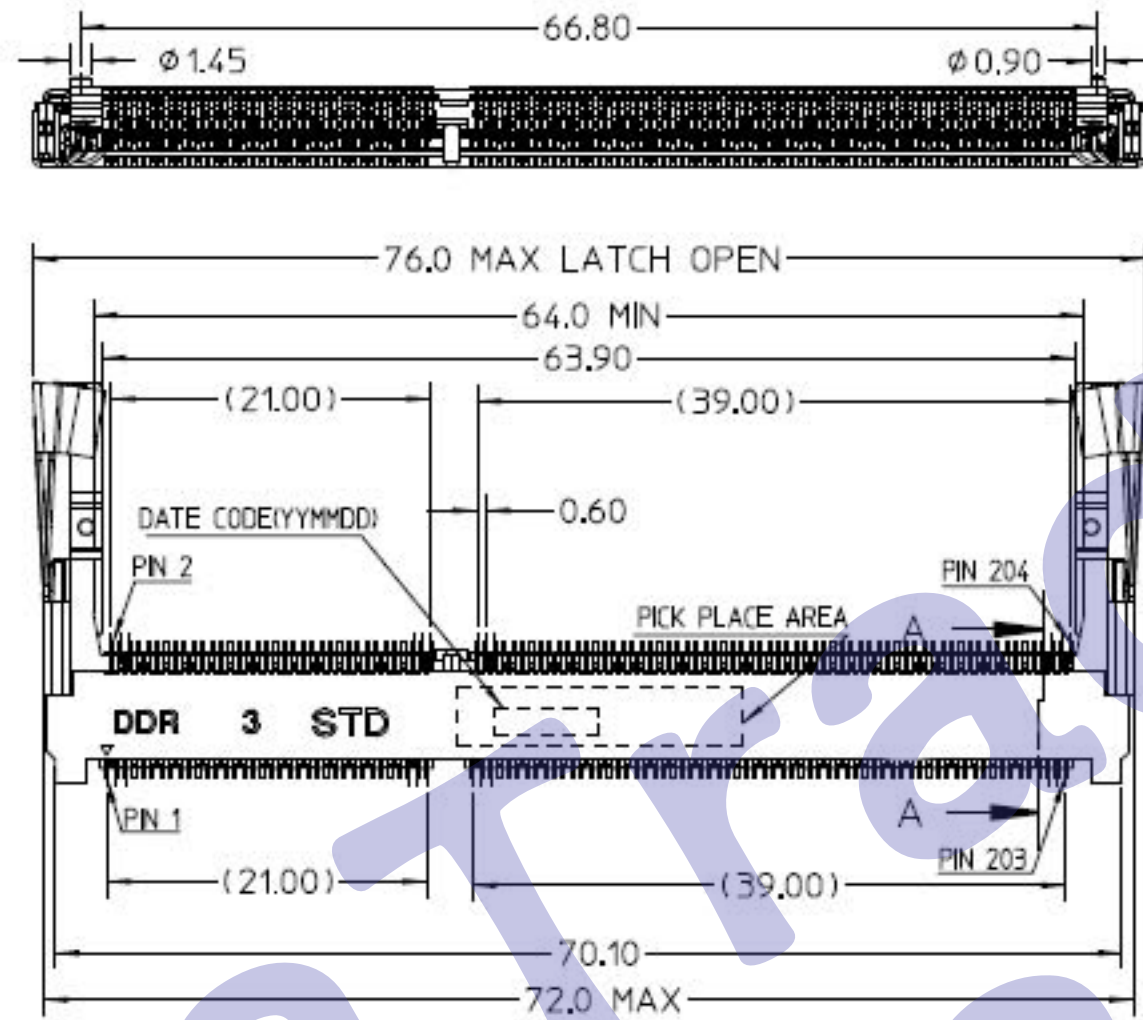


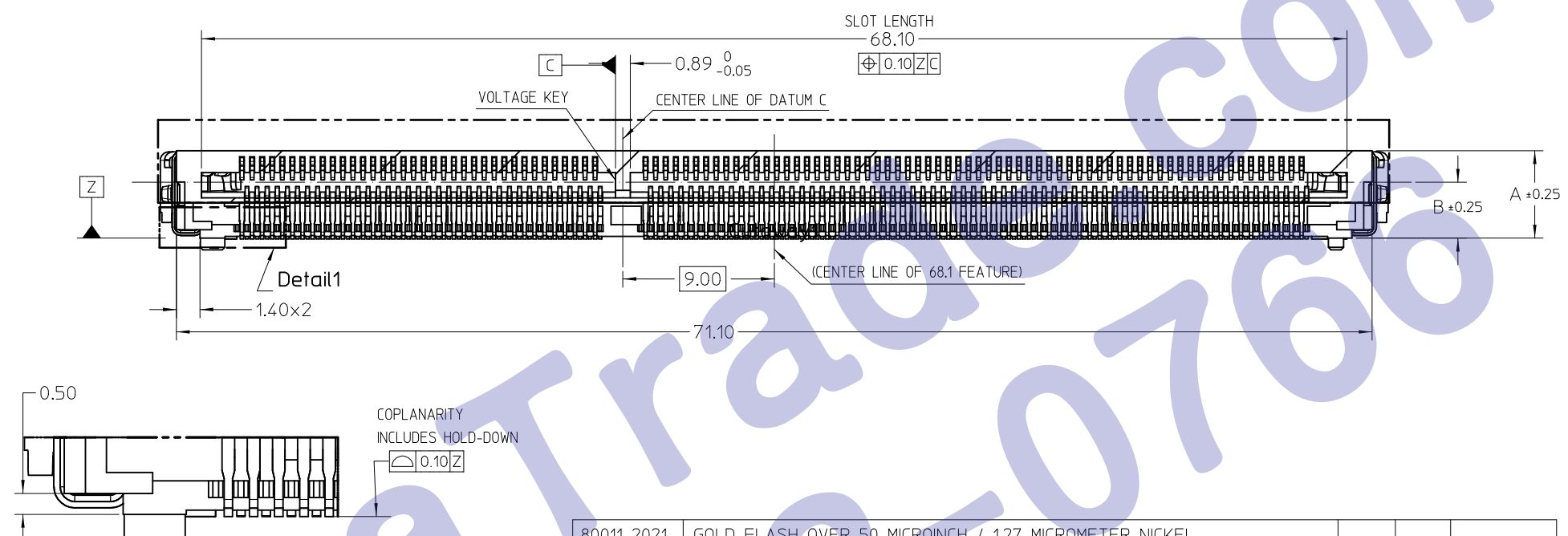
HALOGEN FREE

REV	ECN No.	DATE	REMARK
A	EC2010-0080	20110212	ACTIVE



- NOTE:
- MATERIAL:**  
HOUSING : LCP - UL94V-0, COLOR: BLACK  
CONTACTS : COPPER ALLOY  
LOCK LEVER : STAINLESS STEEL
  - FINISH:**  
CONTACT AREA : REFER TABLE IN SHEET 1  
SOLDER TAIL AREA : GOLD FLASH OVER 50 MICRONCH / 1.27 MICROMETER NICKEL  
LOCK LEVER SOLDER PAD : 100 MICRONCH / 2.54 MICROMETER MATTE TIN OVER 50 MICRONCH / 1.27 MICROMETER NICKEL.
  - RECOMMENDED MODULE LAYOUT SHALL BE AS PER JEDEC MO-268
  - PRODUCT SPECIFICATION AS PER PS-80001-001
  - PART SHALL BE PACKED PER PK-80011-001
  - EDGE OF CONTACT PADS SHALL BE FREE OF BURRS AND EXTERNAL TIE BARS.
  - THE ADDITION OF THIS BEVEL IS A FABRICATION OPTION AND IS NOT REQUIRED. THE BEVEL AIDS THE INSERTION OF THE MODULES INTO THE CONNECTOR. THE BEVEL MUST NOT ENCORACH ONTO GOLD OADS.
  - COPLANARITY INCLUDES HOLD DOWN 0.1 MAX.

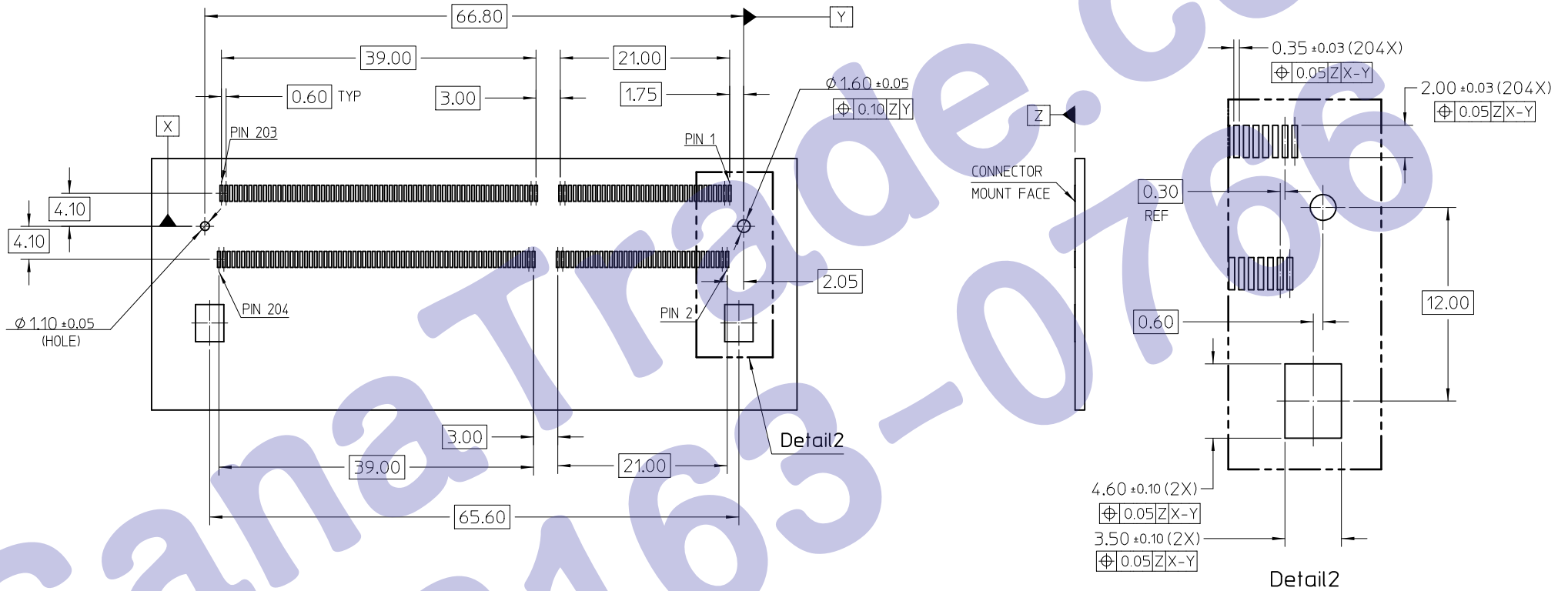
<b>ROHS COMPLIANT</b>  <b>LEAD FREE</b>	<b>GENERAL TOLERANCES (UNLESS SPECIFIED)</b>		<b>TITLE</b> DDR3 SO. DIMM CONNECTOR 0.60MM PITCH, 204 CIRCUITS STANDARD TYPE	
	QUALITY SYMBOL $\nabla = 0$	x.xxxx ± --- x.xxx ± --- x.xx ± 0.15 x.x ± 0.20 ANGULAR ± --°	DRAWN BY JERRY.WANG	DATE 20110214
RELEASE	ECN DESCRIPTION	CHECKED BY GRATE.MA	DATE 20110214	DOCUMENT NO.
	MATERIAL NO. REFER TO SHEET 2	APPROVED BY GRATE.MA	DATE 20110214	
	DIMENSION STYLE MM ONLY	DESIGN UNITS METRIC	THIRD ANGLE PROJECTION	frame size: A4 OR-007-006-A



80011-2021	GOLD FLASH OVER 50 MICROINCH / 1.27 MICROMETER NICKEL			
80011-2022	5 MICROINCH GOLD PLATED OVER 50 MICROINCH / 1.27 MICROMETER NICKEL			
80011-2023	10 MICROINCH GOLD PLATED OVER 50 MICROINCH / 1.27 MICROMETER NICKEL			
80011-2024	15 MICROINCH GOLD PLATED OVER 50 MICROINCH / 1.27 MICROMETER NICKEL	5.20	3.30	
80011-2025	30 MICROINCH GOLD PLATED OVER 50 MICROINCH / 1.27 MICROMETER NICKEL			
PART NO.	CONTACT AREA FINISH	DIM A	DIM B	REMARK

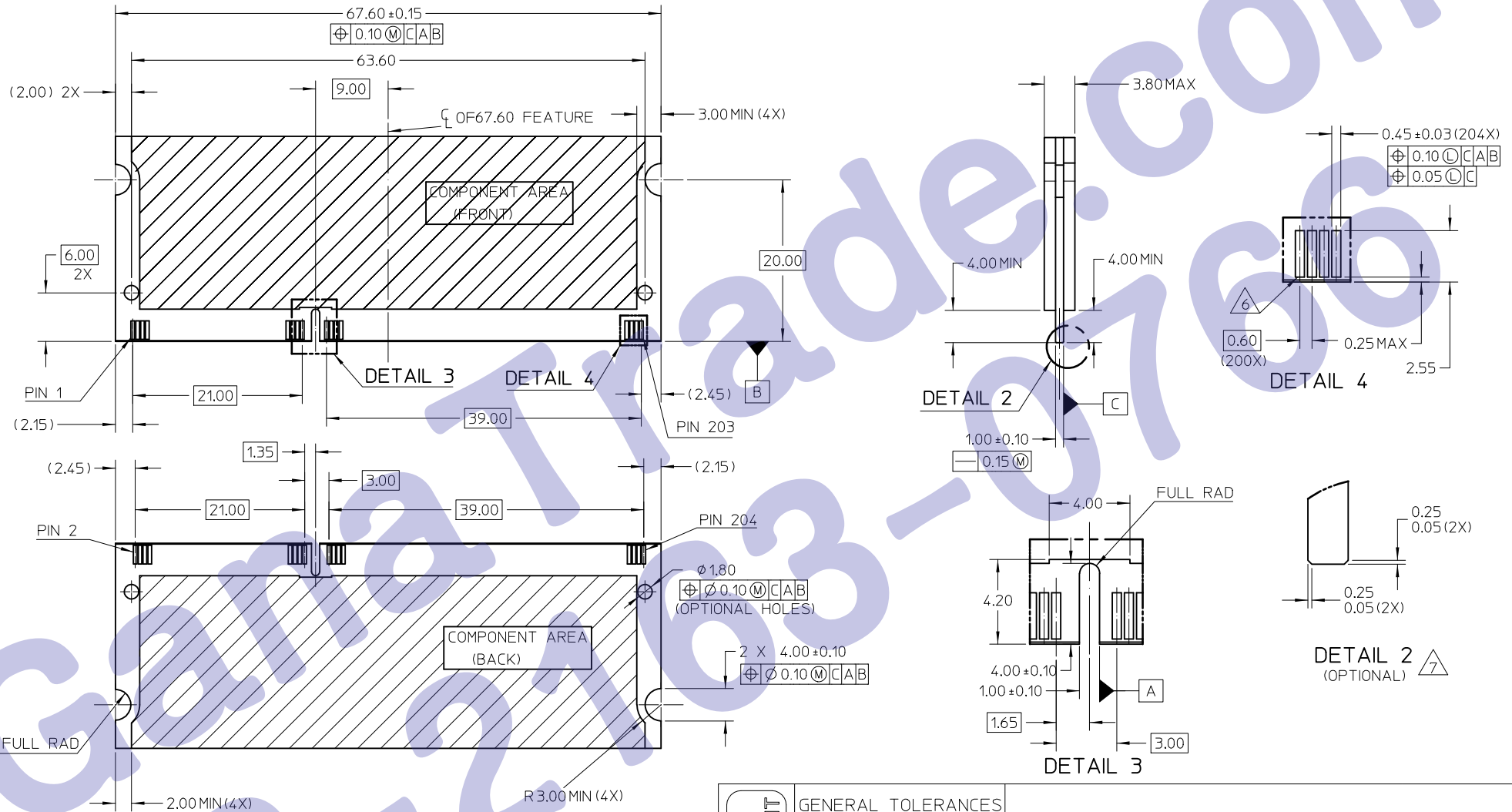
<b>ROHS COMPLIANT</b> <b>LEAD FREE</b>	<b>GENERAL TOLERANCES (UNLESS SPECIFIED)</b> x.xxxxx ± --- x.xxx ± --- x.xx ± 0.15 x.x ± 0.20 ANGULAR ± --° ECN DESCRIPTION RELEASE	DRAWN BY: JERRY.WANG CHECKED BY: GRATE.MA APPROVED BY: GRATE.MA DATE: 20110214 DATE: 20110214 DATE: 20110214	TITLE: DDR3 SO. DIMM CONNECTOR 0.60MM PITCH, 204 CIRCUITS STANDARD TYPE DOCUMENT NO.
	QUALITY SYMBOL = 0 = 0 = 0	SEE TABLE DIMENSION STYLE: MM ONLY DESIGN UNITS: METRIC SCALE: 1:1 THIRD ANGLE PROJECTION	SHEET NO. 2 OF 4

RECOMMENDED P.C.B LAYOUT  
(PLEASE REFER TO THE JEDEC SPEC. SO-006)



ROHS COMPLIANT	GENERAL TOLERANCES (UNLESS SPECIFIED)		DRAWN BY JERRY.WANG		DATE 20110214	TITLE DDR3 SO. DIMM CONNECTOR 0.60MM PITCH, 204 CIRCUITS STANDARD TYPE	
	QUALITY SYMBOL = 0	$\nabla = 0$	x.xxxxx	$\pm$ ---	CHECKED BY GRATE.MA	DATE 20110214	SHEET NO. 3 OF 4
LEAD FREE			x.xxx	$\pm$ ---	APPROVED BY GRATE.MA	DATE 20110214	
			x.xx	$\pm 0.15$	MATERIAL NO.		
			x.x	$\pm 0.20$	SEE TABLE		
			ANGULAR	$\pm$ --°	DIMENSION STYLE MM ONLY		SCALE 2:1
			ECN DESCRIPTION	RELEASE	DESIGN UNITS METRIC		THIRD ANGLE PROJECTION

# RECOMMENDED MATING PCB CONFIGURATION



ROHS COMPLIANT	GENERAL TOLERANCES (UNLESS SPECIFIED)		DRAWN BY JERRY .WANG		DATE 20110214	TITLE DDR3 SO. DIMM CONNECTOR 0.60MM PITCH, 204 CIRCUITS STANDARD TYPE
	QUALITY SYMBOL = 0	$\nabla = 0$	x.xxxx	$\pm$ ---	CHECKED BY GRATE .MA	
LEAD FREE	RELEASE		x.xxx	$\pm$ ---	APPROVED BY GRATE .MA	DATE 20110214
	ANGULAR $\pm$ ---°		x.x	$\pm$ 0.20	MATERIAL NO. SEE TABLE	
ECN DESCRIPTION			DIMENSION STYLE MM ONLY		DESIGN UNITS METRIC	SHEET NO. 4 OF 4
			SCALE 1:1		THIRD ANGLE PROJECTION	